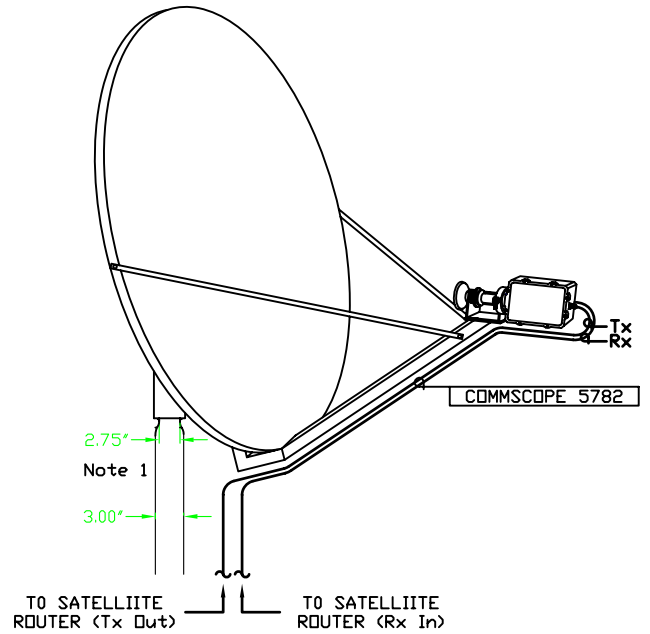
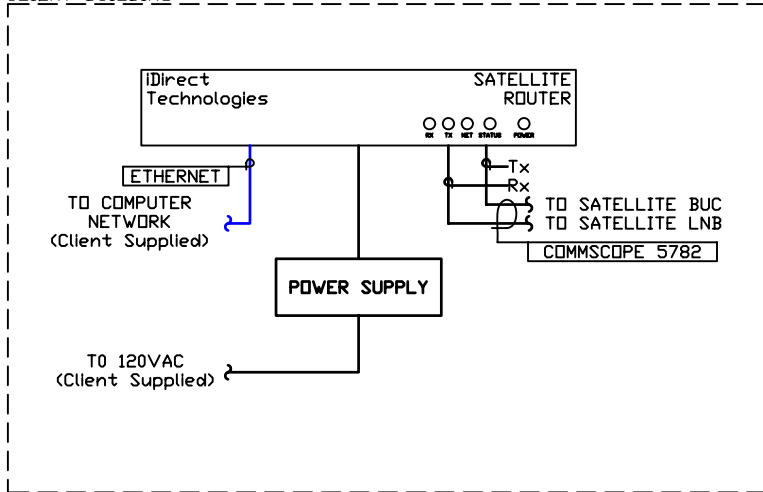


CLIENT BUILDING



NOTES:

1. THE CLIENT IS RESPONSIBLE TO PROVIDE A POLE MOUNT FOR THE INSTALLATION OF THE 1.2m DISH ANTENNA. IT IS RECOMMENDED THAT THE POLE IS A 3' PILE WITH A 2 3/4' SWEDGE AT THE TOP TO MOUNT THE DISH TO.

DRAWING No.	REFERENCE DRAWINGS	REV	REVISION DESCRIPTION	BY	DATE	CHKD	APP	ENGINEER'S STAMP	ENGINEERING RECORD
									PROJECT
									AFE/FILE
									DATE JAN 17, 2006
									TITLE
									DESIGNED BY
									KYLE FALKENBERG
									ACAD DWG No.
									AARON GRDHN
									ENGINEER
									LAST UPDATED
									SCALE
		1	ISSUED FOR INFORMATION	KF	JAN 17/06	AG			DRAWING No. C059999-A03
									SHT. 1/1
									REV 1



1.2m SATELLITE DISH  
SITE DIAGRAM

DRAWING No. C059999-A03